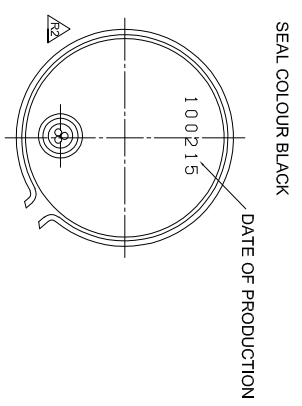
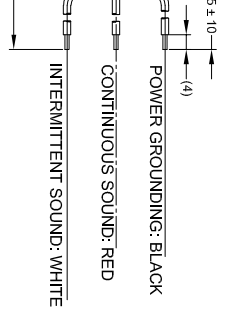
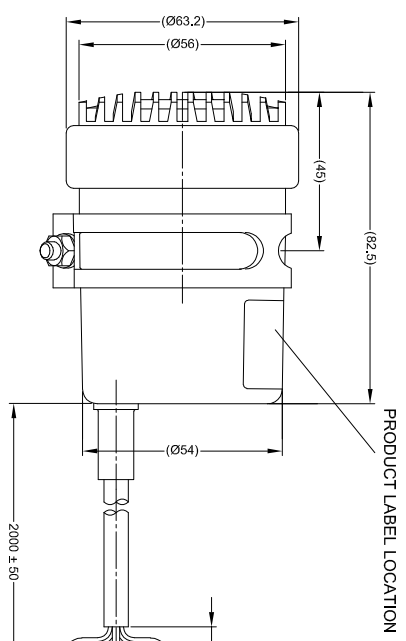
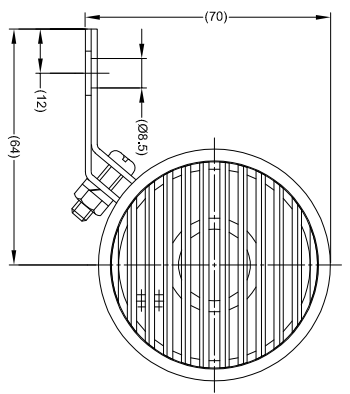


Revision Notes			
R1 - NOTES UPDATED TO INCLUDE LABEL DETAILS, STANDARDS UPDATED AS PER ECR CR-274.			
APA: KIIDA	Drawn/RBATES	Checked/MBUTLER	Approved/GPLITH Date: 28/08/14
R2 - WIRE COLOURS UPDATED AS PER CR-A726.			
APA: KIIDA	Drawn/DCHAPPELL	Checked/RBATES	Approved/RBATES Date: 13/10/20



- SPECIFICATION:**
1. RATED VOLTAGE: 24 VOLTS DIRECT CURRENT (WORKING VOLTAGE RANGE 18 ~ 32 VOLTS.)
 2. RATED CURRENT: 0.2 AMPERES OR LESS.
 3. SOUND PRESSURE: 90dB DECIBELS AT TEST VOLTAGE OF 28 VOLTS. (AS MEASURED AT A DISTANCE OF 1 METER AND AT A HEIGHT OF 1 METER ABOVE THE GROUND)
 4. FREQUENCY: 800±200Hz AT TEST VOLTAGE OF 28 VOLTS.
 5. INTERMITTENCE: 80±10 CYCLES PER MINUTE AT TEST VOLTAGE OF 28 VOLTS.
 6. DURABILITY: CONSECUTIVE 500 HOURS AT TEST VOLTAGE OF 28 VOLTS.
 7. SURGE VOLTAGE TO BE FREE FROM ABNORMALITY WHEN APPLYING 100V, 10ms PULSES FOR 5 SECONDS AT TEST VOLTAGE OF 28V.
 8. RANGE OF OPERATING TEMP. GUARANTEED: -20°C ~ 50°C.
 9. WATER RESISTANCE: TO RESIST WATER AND BE ABNORMALITY FREE AS TESTED SUBJECT TO ITEM S1, JIS D0203.
 10. VIBRATION RESISTANCE: TO BE ABNORMALITY FREE AFTER SUBJECT TO ITEM F0, JIS D 1601.
 11. DUST PROOFNESS: TO BE ABNORMALITY FREE AFTER SUBJECT TO ITEM F2, JIS D0207.

- NOTES:**
1. FINISH: EPOXY BLACK
 2. FOR PRODUCT LABEL, REFER TO LATEST REVISION OF DRAWING BE-002833-XX-14.
 3. GIFTBOX LABEL DEFINED BY OPERATIONS AND MATERIALS. #
 4. "R TRIANGLE" INDICATES CHANGES MADE TO REVISION OF DRAWING AS IDENTIFIED IN REVISION NOTES.

PROPRIETARY NOTICE
 THIS DESIGN AND TECHNICAL INFORMATION APPEARING ON THIS DRAWING IS THE PROPERTY OF BRIGADE ELECTRONICS, AND IS DISCLOSED IN CONFIDENCE. IT IS NOT TO BE COPIED, REPRODUCED, REVEALED TO OR EXPLOITED BY OTHERS, EITHER IN WHOLE OR IN PART WITHOUT THE EXPRESS WRITTEN CONSENT OF BRIGADE ELECTRONICS.



 Third Angle	Assembly PI Approval KIIDA - 18/11/13	Approved by GPLITH	Checked by MBUTLER	Drawn by RBATES
	Angle of Projection	Units mm	Scale N/A	Released 18/11/13
	Status RELEASED		Released -	Assembly Ref DF-116TCA-2
	Part No #2121			BE-002485-02-13